

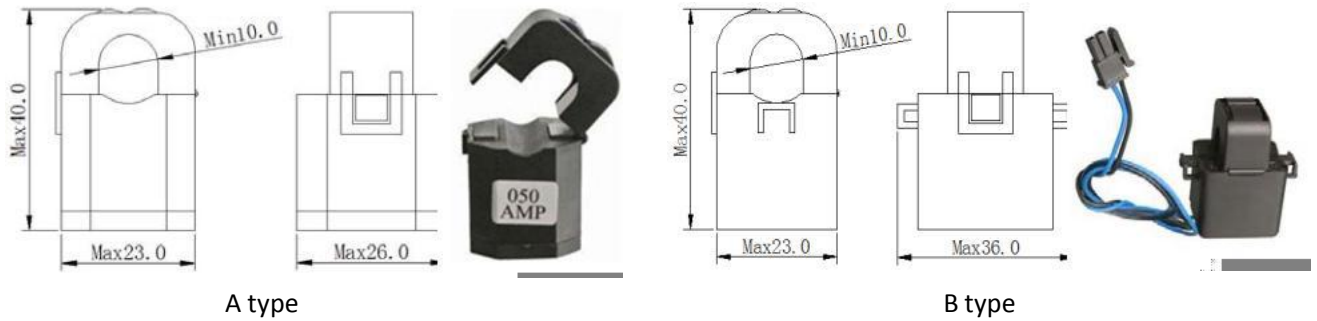
一、SPECIFICATIONS :

- 1、Rated Voltage: 0.66KV
- 2、Insulation Voltage: 2KV
- 3、Rated Frequency: 50HZ或 60HZ
- 4、Operating Temperature: -15°C to 60°C
- 5、Flame resistance: UL94-V0
- 6、Certificates: CE、UL

二、FEATURES:

- 1、Small cost
- 2、Split core design ,Easier installation
- 3 Build diode ,no high voltage danger
- 4、Good linearity at very low current

三、DIMENSIONS( mm ):



四、PARAMETERS

Model	Input (A)	Max current (A)	Output
SCT-010A	0.2-80AAC	100AAC	0-30mArms/0.333VAC
SCT-010 A			0-3 VAC

五、 CURVE PERFORMANCE

